

DIALITE MasterGrader / UV Cabinet



Made in Germany

Information

MasterGrader

Designed for grading and presentation of all diamonds, fancy colour diamonds and coloured stones.



MasterLight CIBJO ISO/PAS

Standardized lighting and viewing environment for gems with challenging hues, saturation and lightness in neutral ambient daylight conditions.

Colour of Light Fluorescent Lamps

SPECTROLIGHT fullspectrum 5,800 Kelvin daylight and/or 6,500K daylight following recommendations of ISO/PAS and CIBJO international organisations. Other optional colours of light for presentation of specific gems.

Built-in UV

Fluorescence testing of diamonds and other gems.

Transmitted UV Test Mode

This unique UV test is more intense compared to the traditional incident mode.



DIALITE MasterGrader /UV Cabinet

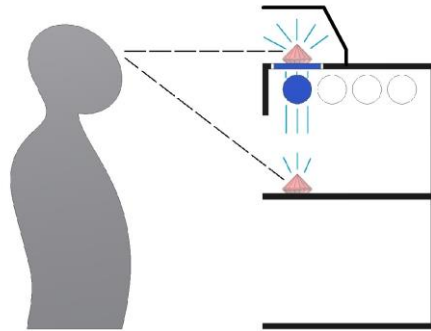


Made in Germany

Information

Enhanced Fluorescence Colour Contrast

The viewing angle is 90° to the UV light direction. There is no misleading of fluorescing colours by bluish residual UV light. Even faint fluorescence becomes visible. Additional contrast effected by the black appearing surface of the "Black Light" UV filter and the "darkroom" of the hood attached above.



Incident UV Test Mode

The strength of UV fluorescence colours depends on distance between specimen and bottom UV exit. Fast and easy when testing diamonds in parcel papers. For comparison of test results same test distance is required.

UV Master for Diamonds

For fluorescence evaluation of diamonds it is indispensable to use UV master stones at reproducible testing conditions.

Top UV-Exit

(W x D) 70 x 35mm (3 x 1 ½ ")

Shelf

To position specimen at half distance to lamps.

Diffuser Optional

To slide-in for more diffuse lighting conditions compared to the authentic daylight fluorescents. Perfect for photography.

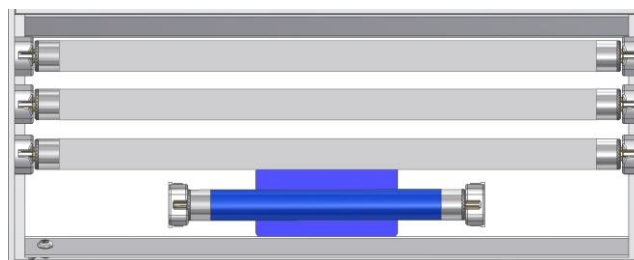
Daylight Illuminance

Varies on distance to reflector. Selectable by user-controls of each fluorescent.

MasterGrader configuration of lamps

Fluorescent Lamps

3 x 8 Watt linear T5 fluorescent lamps mounted in parallel order.



UV Lamp

1 x 4 Watt T5 "Black Light Blue " longwave of 366nm wavelength.

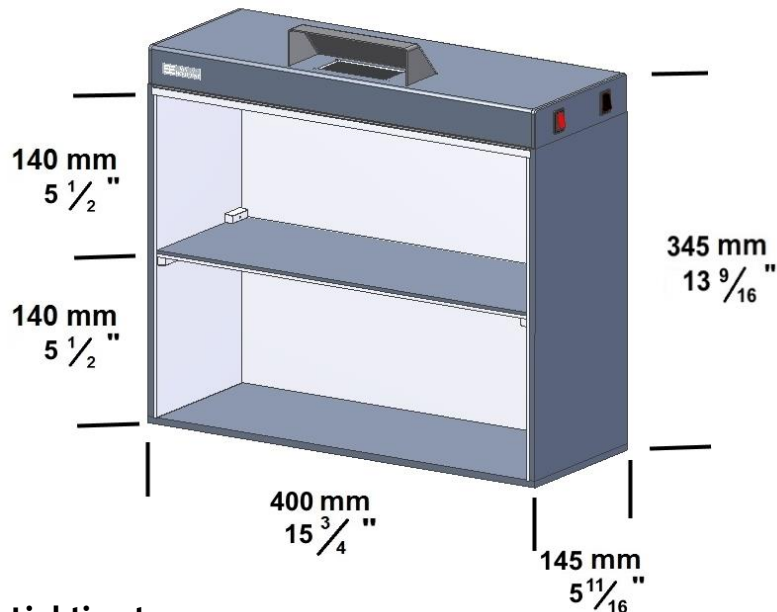
DIALITE MasterGrader /UV Cabinet



Made in Germany

Information

Dimension



Lighting terms

Fullspectrum daylight

5,800K natural fullspectrum daylight with highest colour rendering for all gemstones and many pearls.

Kelvin (K)

A term for the relative yellowness, whiteness or blueness of the colour of light, expressed in units of Kelvin (K).

CRI

Colour Rendering Index, the indicator which figures out how colours will look under a given light source compared to natural daylight of CRI 100 at same colour of light (Kelvin).

General specification

electronic

Flickerfree high-frequency operation of lamps with electronic ballast.

Power

220-240V/50Hz. Power cord 3-wire grounded type, 2,500 mm (8ft.) long, with removable plug. Degree/class of protection: IP 20/I. 100-120V/50-60Hz by optional voltage converter. Electromagnetic compatibility following the EUR norms.

Weight

3,500 g

Outside Case Design

Made of durable plastics material RAL 7016 anthracite.

Interior Case Design

Removable interior walls at side and rear of RAL 9006 neutral grey or optional RAL 7000 dark grey.