

DIALITE MasterGrader Cabinet



Made in Germany

Information

MasterGrader

The Masterlight designed for colour grading of diamonds, fancy colour diamonds and coloured stones.



CIBJO ISO/PAS

Standardized lighting and viewing environment for all gems in neutral ambient daylight conditions following the recommendations of international organisations like CIBJO and ISO/PAS.

Lamps Colour of Light

Daylight lamps with selectable colours of light from 6,500 to 5,400 Kelvin.

Shelf

To position specimen at half distance to lamps.

Diffuser

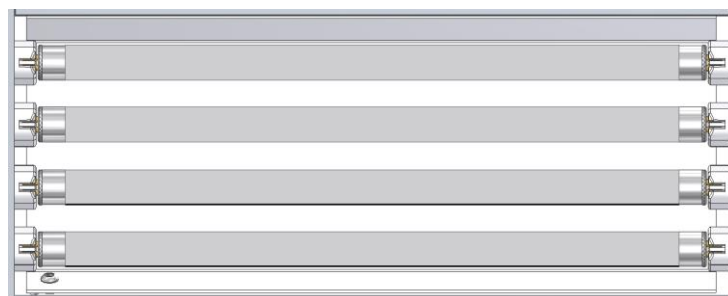
To slide-in for more diffuse lighting conditions compared to the authentic daylight fluorescents. Perfect for photography.

Daylight Illuminance

Varies on distance to reflector. Selectable by user-controls of each fluorescent.

MasterGrader configuration of lamps

Fluorescent Lamps 4 x 8 Watt linear T5 fluorescent lamps mounted in parallel order.



DIALITE MasterGrader Cabinet



Made in Germany

Information

MasterGrader configuration of lamps / optional UV lamp

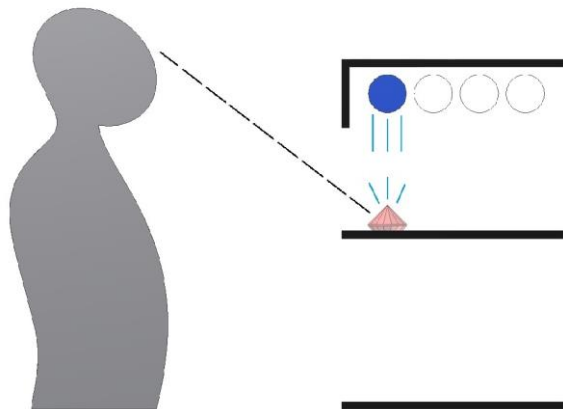
Fluorescent Lamps

3 x 8 Watt linear T5 fluorescent lamps mounted in parallel order.



UV Lamp

1 x 8 Watt T5 "Black Light Blue" of longwave 366nm wavelength.



Incident UV Test Mode

The strength of UV fluorescent colours depends on distance between specimen and bottom UV exit. Fast and easy when testing diamonds in parcel papers. For comparison of test results same test distance is required.

UV Master for Diamonds

For fluorescence evaluation of diamonds it is indispensable to use UV Master stones at reproducible testing conditions.

Lighting terms

Kelvin (K)

A term for the relative yellowness, whiteness or blueness of the colour of light, expressed in units of Kelvin (K).

CRI

Colour Rendering Index, the indicator which figures out how colours will look under a given light source compared to natural daylight of CRI 100 at same colour of light (Kelvin).

DIALITE MasterGrader Cabinet



Made in Germany

Information

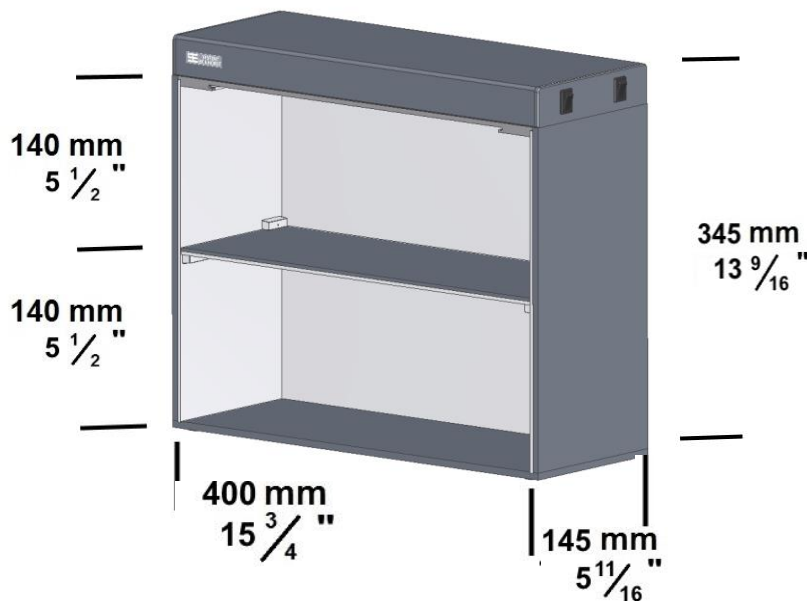
General specifications

electronic Flickerfree high-frequency operation of lamps with electronic ballasts.

Power 220-240V/50Hz. Power cord 3-wire grounded type, 2,500 mm (8ft.) long, with removable plug. Degree/class of protection: IP 20/I. 100-120V/50-60Hz by optional voltage converter. Electromagnetic compatibility following the EUR norms.

Weight 3,500 g

Dimensions



Outside Case Design Made of durable plastics material RAL 7016 anthracite.

Interior Case Design Removable interior walls at side and rear of RAL 9006 light grey or alternative RAL 7000 neutral grey.

Trolley Size The cabinet, the reflector head and accessories perfectly fit in any trolley of IATA outside size of 550 x 400 x 200 mm (22" x 16" x 8")

