

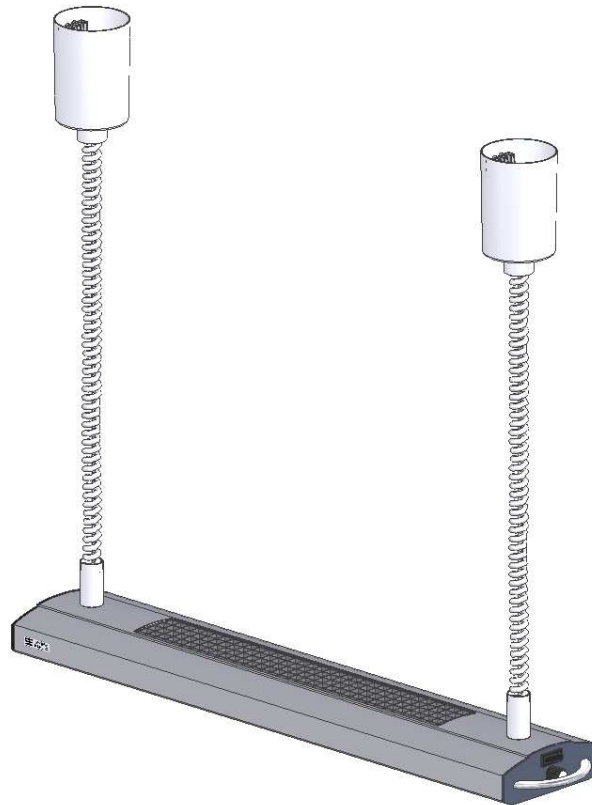
**DIALITE X**  
**2 x 80 Watt DIM**  
**2 x 55 Watt DIM**  
**indirect**



**Made in Germany**

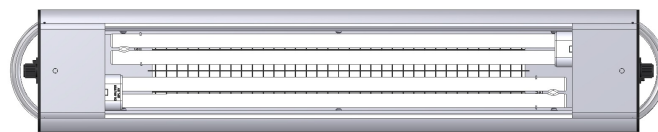
**X 2/80 DIM**  
**X 2/55 DIM**

**DIALITE X lamp suspended with rise & fall pendants. Outstanding, unique lighting power of 2x80 or 2x55 compact fluorescent lamps. Flickerfree, dimmable and indirect.**



**Two Lamps**

2 x 80 / 2 x 55 Watt compact fluorescent lamps mounted in parallel order.



**Lamps**  
**Colours of Light**  
**Colour Rendering**  
**Mixed Light**

Essential for the vision task is the colour of light of the fluorescent lamp as well as the quality of the colour rendering. At choice are colours of light from daylight 6,500 Kelvin to 3,000K incandescent yellow, lots of them with fullspectrum colour rendering >90. All DIALITE reflectors have two parallel lamp positions. If two lamps of different colours of light are used the task can be illuminated in alternate or mixed colours. Thus it is possible to work with three different colours of light.

**Two switches**

Both lamps are separately switchable, irrespective of dimming.

**DIM**

Both lamps are separately dimmable by electronic controls at both sides of the reflector.

**electronic**

Flimmer- and flickerfree high frequency operation by an electronic ballast for each lamp.

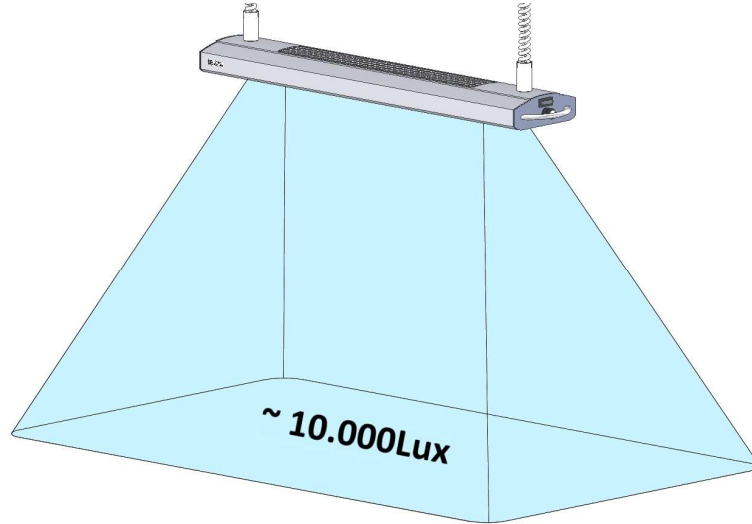
**DIALITE X**  
**2 x 80 Watt DIM**  
**2 x 55 Watt DIM**  
**Indirect**



**Made in Germany**

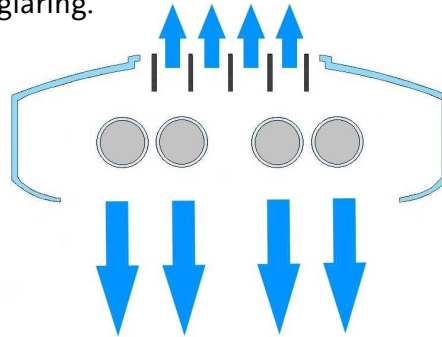
Information

**Illuminance**



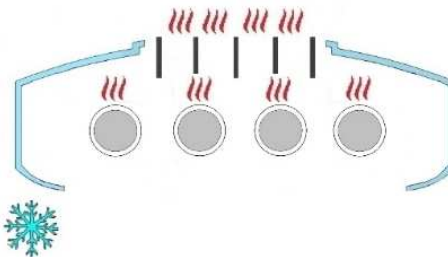
**Indirect Light**

The two lamps are also illuminating the ceiling of the room through the open topside of the reflector. This indirect light creates a positive, harmonic atmosphere in the room – just like a floor lamp. The black metal grid on the topside avoids the cognition of exiting light as glaring.



**Cool reflector**

The **heat** generated by the fluorescent lamps exhausts through the open topside of the reflector which leads to a **cool** reflector. Good for comfortable temperatures around the head.



**DIALITE X**  
**2 x 80 Watt DIM**  
**2 x 55 Watt DIM**  
**Indirect**

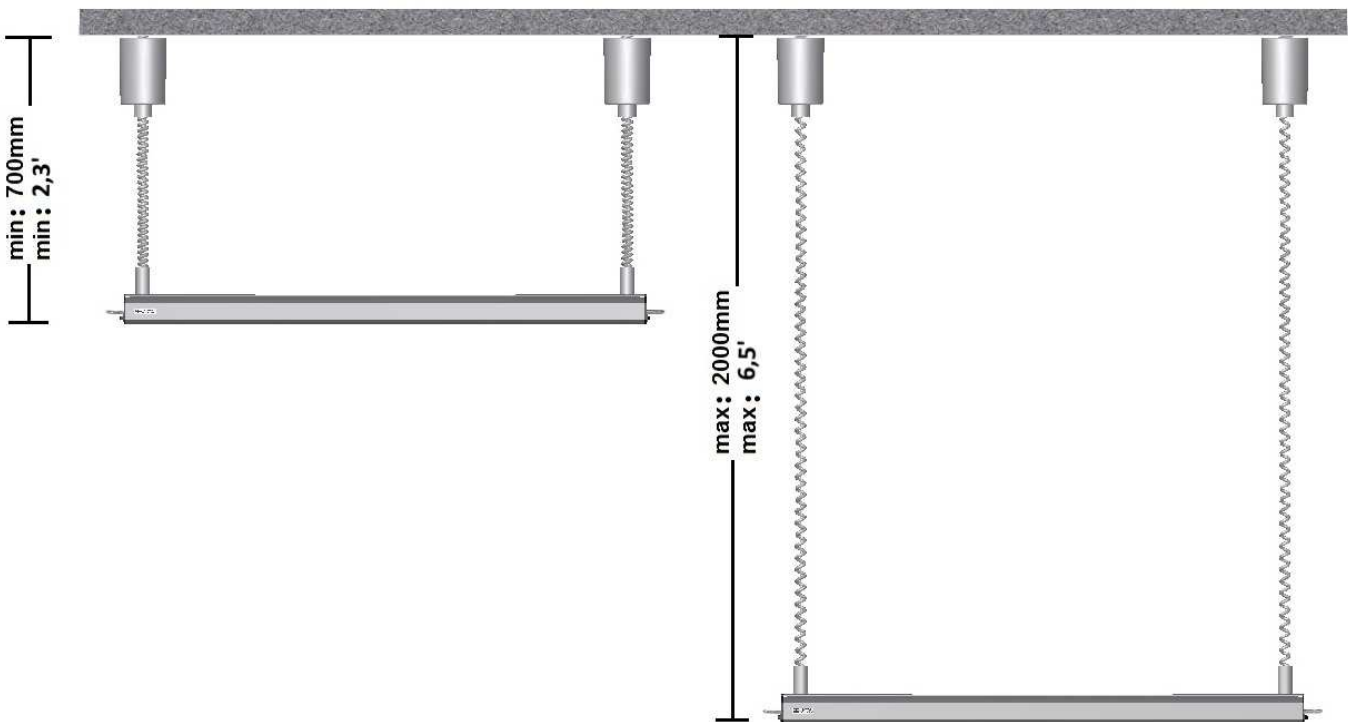


**Made in Germany**

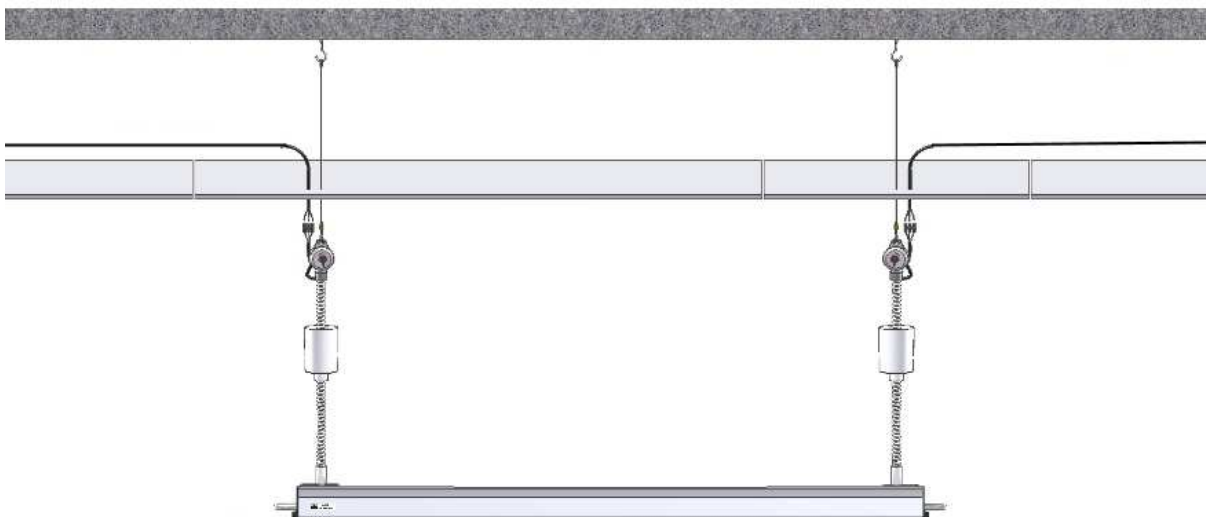
Information

**Reflector/Shade** Solid aluminium profile, silver-grey or anthracite resistant epoxy coating. Internal white reflector for authentic colour rendering. .  
 Topside opening covered by black metal grid.  
 Elegant handles for easy handling.

**Rise & Fall Pendants** Heavy duty precision quality for individual stepless level adjustment to the task.  
 For all suspended DIALITE lights the rise and fall pendants are in silvergrey colour. Special types in white or black colour.  
 Extension good for ceilings up to 3,40m ( 11 ft ). If the room ceiling is higher, rise & fall pendants with a longer extension are necessary or ropes have to be used.



**Suspension / Height of Room** The ceiling should be designed for a minimum load of 25kg/m or 20lbs./ft). If you have a suspended gypsum board ceiling, slats have to be put inside for the hang-up hooks. Consultancy is recommended.



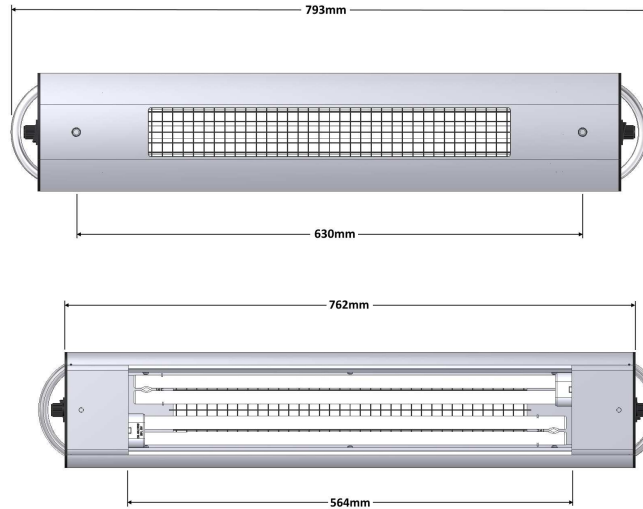
**DIALITE X**  
**2 x 80 Watt DIM**  
**2 x 55 Watt DIM**  
**Indirect**



**Made in Germany**

Information

**Dimensions**



**Weight**

About 3,300 g (7.3 lbs.)

**Power**

220-240V/50Hz. Degree/class of protection: IP20/I (grounded).  
100-120V/50-60Hz by corresponding type or by optional voltage converter.

**Accessories for reflector**

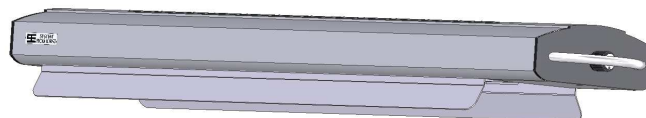
**Reflector Louvre**

Avoids glare in longitudinal and lateral direction at high reflector levels. A pro rata loss in light intensity has to be considered.



**Glare Shields**

Especially at high reflector levels it might come to glare, also for vis-à-vis sitting persons. The two metal shields are avoiding this, without reducing the light intensity. Easy to install at front and/or backside of the reflector.



**EICKHORST & Co. KG** Papenreye 61 · 22453 Hamburg, Germany  
T. +49 (0) 40-51 40 00-0 · F. +49 (0) 40-51 40 00-30 · info@eickhorst.com · www.eickhorst.com